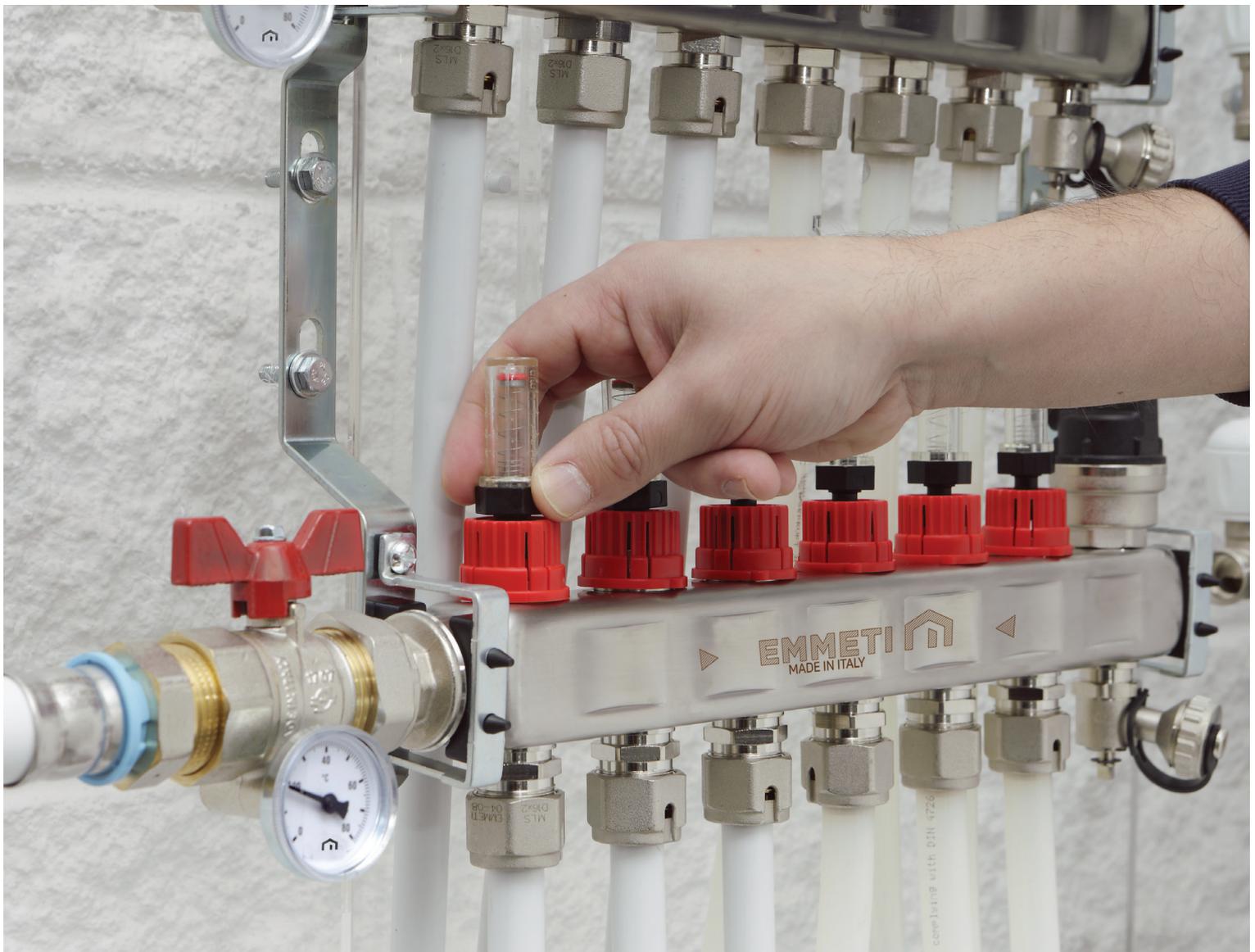


Topway S

Stainless steel distribution manifold



A versatile and complete system

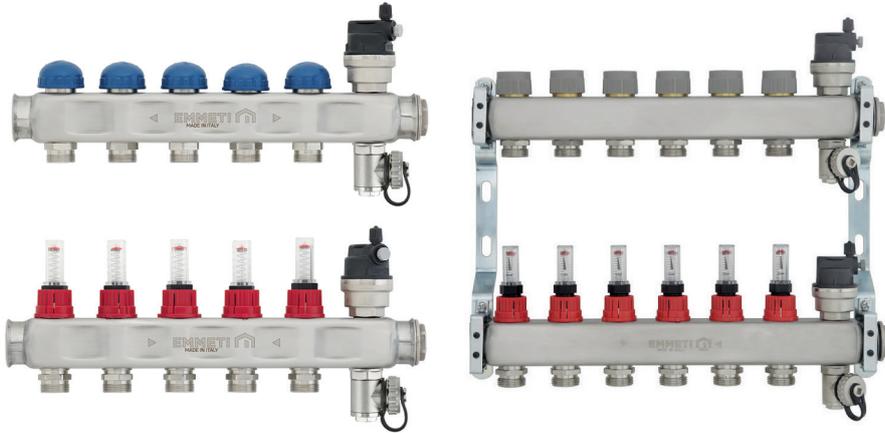
The Topway S stainless steel distribution manifold, with its multitude of components and accessories, is the perfect solution to current system engineering needs. It offers flexible solutions for various system configurations. This manifold makes it possible to set the temperature in any room through the installation of electro-thermal actuators so as to automatically control each circuit using a thermostat. The Topway S manifold can be provided an extensive range of accessories, ranging from adjustable drain taps to air valves and from electro-thermic heads to flow meters. Everything is provided nickel-plated. Now, even small houses, can accommodate a truly advanced system.

Fast, easy and safe installation

Speed and safety of installation are particularly taken care of. All elements combine in a simple way with each other. Adjustment and control can be carried out with precision by means of flow meters, already integrated in the manifold.



Index



Quality and reliability	4
Topway S, stainless steel distribution manifold	5
Topway S Compact, stainless steel distribution manifold	6
Topway S installation example	7
Topway S, single bar manifold	9
Topway S Compact, single bar manifold	10
Topway S-D, pre-assembled bar manifold with automatic dynamic balancing	14
Ball valves kit for Topway S and Topway S-D manifolds	16
Accessories for Topway S and Topway S-D manifolds	17
Control T, electro-thermic heads	20
Basing wiring box 6T for electro-thermic heads	21
Mononoblocco seals and 3-pieces seals	22
Accessories for seals	26
Metalbox Plus and Metalbox zinc-coated metal cabinets	27

Quality and reliability

High quality standard materials, sturdy components and a durable finish make the Topway S System both reliable and functional: the longevity of the system is increased and the need for ongoing maintenance is decreased.

The company places great importance on quality throughout the fully automated manufacturing process, thus, keeping the manufacturing and fluid dynamic characteristics of a whole lot constant.

All of the components are subject to stringent controls and additional final acceptance tests are performed on the hydraulic bench to assess performances in critical operating conditions*.

* Pre-assembled manifolds are 100% tested before packaging



Customised comfort

Thanks to the Topway S System, houses can be subdivided into various unlimited areas, by simply applying thermoelectric heads for valves monitoring purposes.

The plumber is thus able to regulate the temperature in every room in a rational fashion, without architectural hindrances and without requiring further operations, as the outlet box is the only tool involved.

In other words, the Topway S header is the first, truly effective controller of the whole heating system.



Long term savings

The bigger beginning investment for the purchase of the materials is rewarded by the remarkable reduction of installation and management costs.

Independent and tailor-made temperature monitoring in each room, without waste, offers energy saving benefits visible throughout the duration of the system, or rather: heat the right place at the right time. Emmeti brings unparalleled financial benefits to your household.



Topway S

stainless steel distribution manifold



The range

- 1", threads 24x19 takeoff 50 mm (flow and return) from 2 to 12 ways
- 1", threads 3/4" Eurocone takeoff 50 mm (flow and return) from 2 to 12 ways

Construction

Topway S distribution manifolds are produced with high resistance material, stainless steel AISI 304 (brushed finish) with a high nickel content, copper-free for increased corrosion resistance and for safer use and greater durability.

The O-ring seals are made of peroxide EPDM.

The accessories are produced with nickel/brass plated.

Topway S is supplied with disassembled brackets and complete with:

- Lockshields with flow meters included (0÷4 l/min)
- Manual adjustment valves set up to take for electro-thermic heads
- Nr. 2 blanking plugs 1" complete with O-ring
- Nr. 2 water drain valves 1/2"
- Nr. 2 air vent valves 1/2" with bleed (lateral + manual).
- Nr. 2 double metal brackets

NOTE: The Progress ball valves 1" with red and blue butterfly handles, with pipe union, with or without thermometer, are supplied optionally.

Technical data

Maximum operating temperature: 90 °C

Maximum operating pressure: 6 bar

Head thread: G 1" F

Side ways thread: 24x19 - 3/4" Eurocone

Note: 24x19 thread: 24 mm diameter gas thread and 19 screw threads per inch.

Note: Seal on thread of heads ONLY with O-ring. DO NOT USE tapered threads.

Topway S Compact

Stainless steel distribution manifold



The range

- 1", 24x19 threads takeoff 50 mm (flow and return) from 2 to 12 ways
- 1", 3/4" Eurocone threads takeoff 50 mm (flow and return) from 2 to 12 ways

Construction

Topway S Compact distribution manifolds are produced with high resistance material, stainless steel AISI 304 (brushed finish) with a high nickel content, copper-free for increased corrosion resistance and for safer use and greater durability.

The O-ring seals are made of peroxide EPDM.

The accessories are produced with nickel/brass plated.

Topway S Compact is supplied with disassembled brackets and complete with:

- Lockshields with flow meters included (0÷4 l/min)
- Manual adjustment valves set up to take for electro-thermic heads
- Nr. 2 water drain valves 1/2"
- Nr. 2 double metal brackets

Note: The Progress ball valves 1" with red and blue butterfly handles, with pipe union, with or without thermometer, are supplied optionally.

Technical data

Maximum operating temperature: 90 °C

Maximum operating pressure: 6 bar

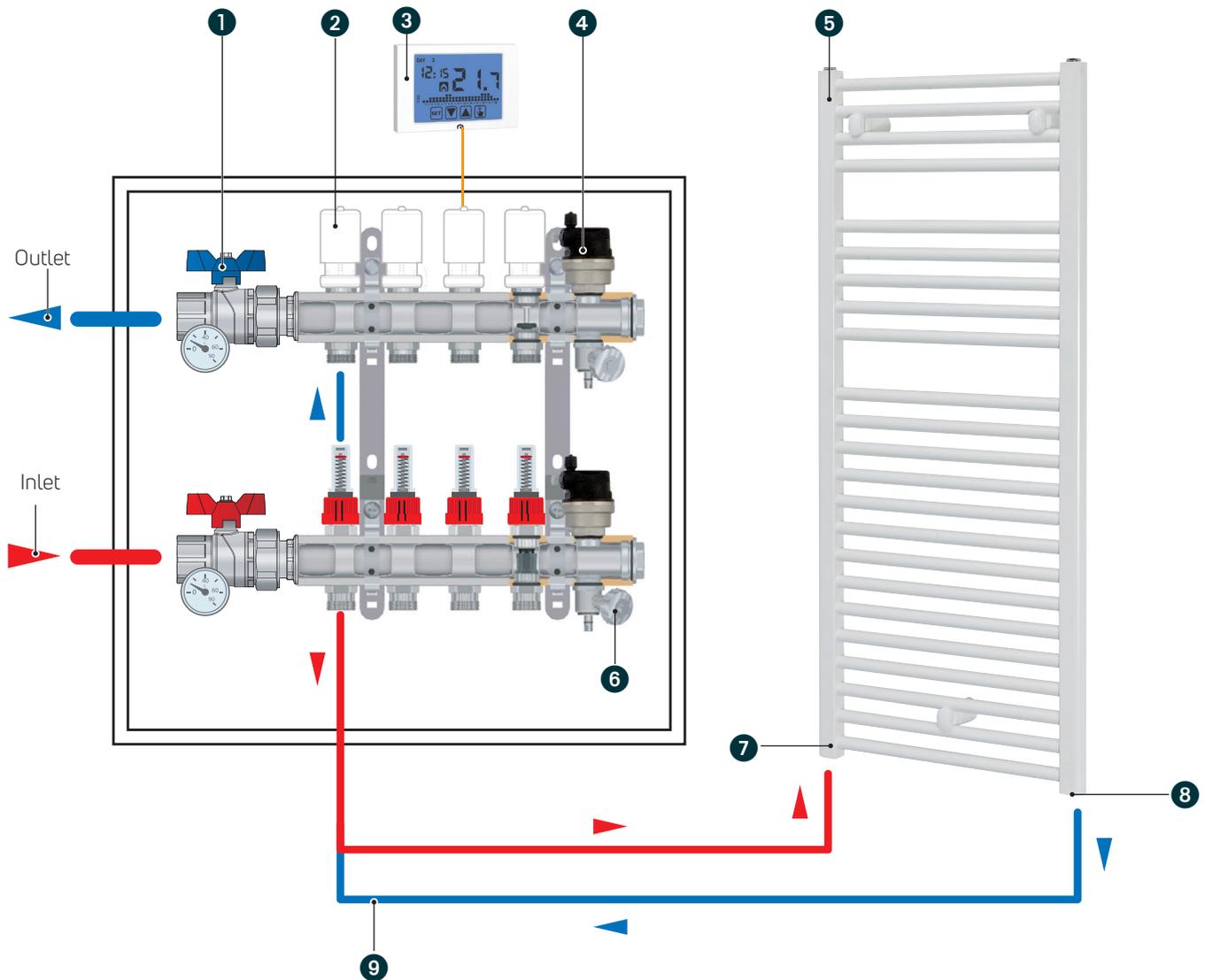
Head thread: G 1" F

Side ways thread: 24x19 - 3/4" Eurocone

Note: 24x19 thread: 24 mm diameter gas thread and 19 screw threads per inch.

Note: Seal on thread of heads ONLY with O-ring. DO NOT USE tapered threads.

Topway S installation example

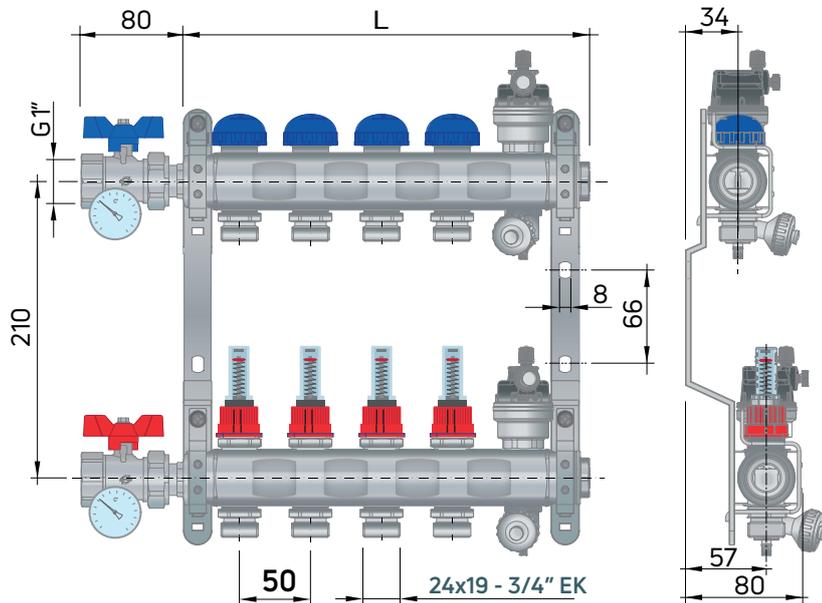


- ❶ Progress ball valve
- ❷ Control T electro-thermic head
- ❸ SINTESI chronothermostat
- ❹ Tecno-Varia air vent valve
- ❺ Radiator
- ❻ Drain valve
- ❼ Full valve
- ❽ Full lockshield
- ❾ Multilayer pipe

Note

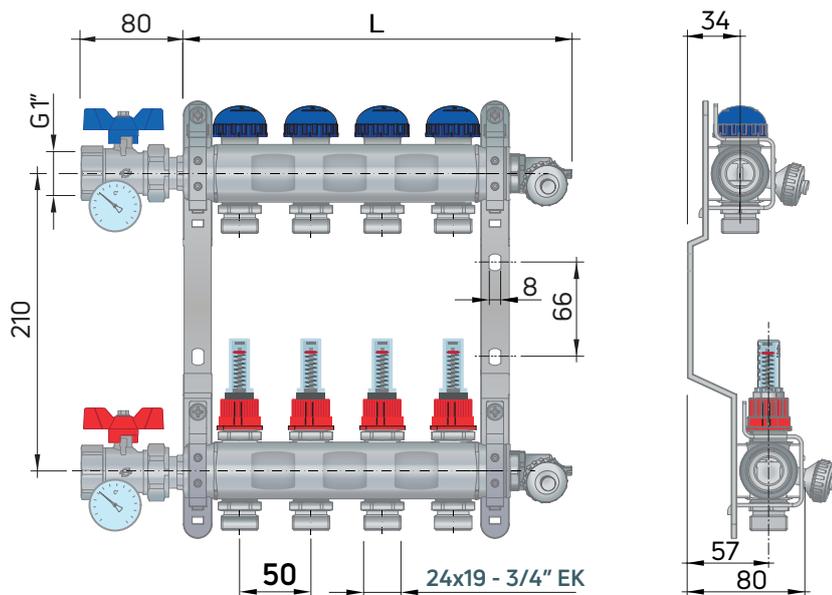
It is advisable to fit a differential by pass valve to avoid ydraulic imbalances which can occur if one or more zones are xcluded. Check the current flow across the thermostat contacts in relation to the starting current absorbed by the electrothermic heads. In the event of overload, use a relay. Electrothermic heads with auxiliary microswitches can be used for switching off the pump when the valves are closed (if the current absorption of the pump exceeds the current flow across the contacts, use an intermediate relay).

Topway S distribution manifold with lockshields with flow meters included, fixed metal supports



N. ways	L [mm]
2	185
3	235
4	285
5	355
6	385
7	435
8	485
9	535
10	585
11	635
12	685

Topway S Compact distribution manifold with lockshields with flow meters included, fixed metal supports



N. Ways	L [mm]
2	171
3	221
4	281
5	321
6	371
7	421
8	471
9	521
10	571
11	621
12	671

Topway S

single bar distribution manifold



The range

- 1", threads 24x19, takeoff 50 mm, with valves (return) from 2 to 12 ways
- 1", threads 3/4" Eurocone, takeoff 50 mm, with valves (return) from 2 to 12 ways
- 1", threads 24x19, takeoff 50 mm, with lockshields and flow meters included (flow), from 2 to 12 ways
- 1", threads 3/4" Eurocone, takeoff 50 mm, with lockshields and flow meters included (flow), from 2 to 12 ways

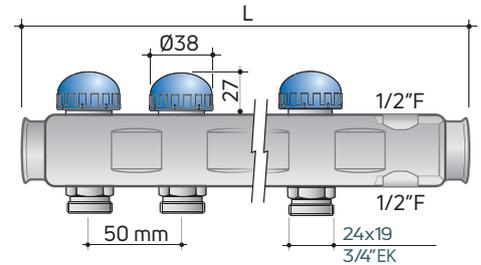
Construction

Topway S distribution manifolds are produced with high resistance material, stainless steel AISI 304 (brushed finish) with a high nickel content, copper-free for increased corrosion resistance and for safer use and greater durability. The O-ring seals are made of peroxide EPDM. The accessories are produced with nickel/brass plated.

Technical data

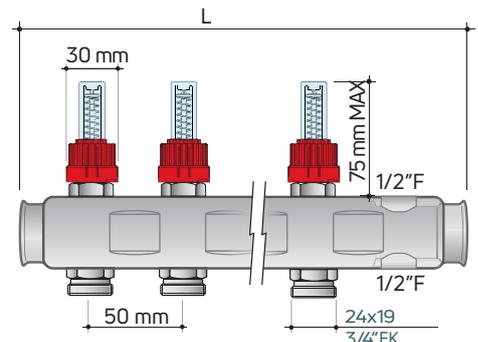
Maximum operating temperature: 90 °C
 Maximum operating pressure: 6 bar
 Head thread: G 1" F
 Side ways thread: 24x19 - 3/4" Eurocone
 Note: 24x19 thread: 24 mm diameter gas thread and 19 screw threads per inch.
 Note: Seal on thread of heads ONLY with O-ring.
 DO NOT USE tapered threads.

Topway S return manifold, nickel-plated, with valves and additional way



Model	2 ways	3 ways	4 ways	5 ways	6 ways	7 ways	8 ways	9 ways	10 ways	11 ways	12 ways
1" L [mm]	175	225	275	325	375	425	475	525	575	625	675

Topway S flow manifold, nickel plated, with flow meters and additional way



Model	2 ways	3 ways	4 ways	5 ways	6 ways	7 ways	8 ways	9 ways	10 ways	11 ways	12 ways
1" L [mm]	175	225	275	325	375	425	475	525	575	625	675

Topway S Compact

single bar distribution manifold



The range

- 1", threads 24x19, takeoff 50 mm, with valves (return) without additional way, from 2 to 12 ways
- 1", threads 3/4" Eurocone, takeoff 50 mm, with valves (return) without additional way, from 2 to 12 ways
- 1", threads 24x19, takeoff 50 mm, with lockshields and flow meters included (flow), without additional way, from 2 to 12 ways
- 1", threads 3/4" Eurocone, takeoff 50 mm, with lockshields and flow meters included (flow), without additional way, from 2 to 12 ways

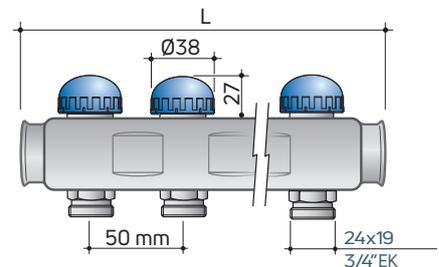
Construction

Topway S Compact distribution manifolds are produced with high resistance material, stainless steel AISI 304 (brushed finish) with a high nickel content, copper-free for increased corrosion resistance and for safer use and greater durability. The O-ring seals are made of peroxide EPDM. The accessories are produced with nickel/brass plated.

Technical data

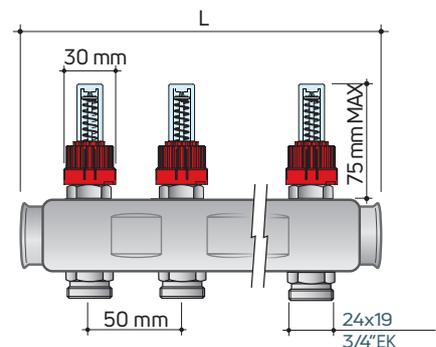
Maximum operating temperature: 90 °C
 Maximum operating pressure: 6 bar
 Head thread: G 1" F
 Side ways thread: 24x19 - 3/4" Eurocone
 Note: 24x19 thread: 24 mm diameter gas thread and 19 screw threads per inch.
 Note: Seal on thread of heads ONLY with O-ring.
 DO NOT USE tapered threads.

Topway S Compact return manifold, nickel-plated, with valves and without additional way



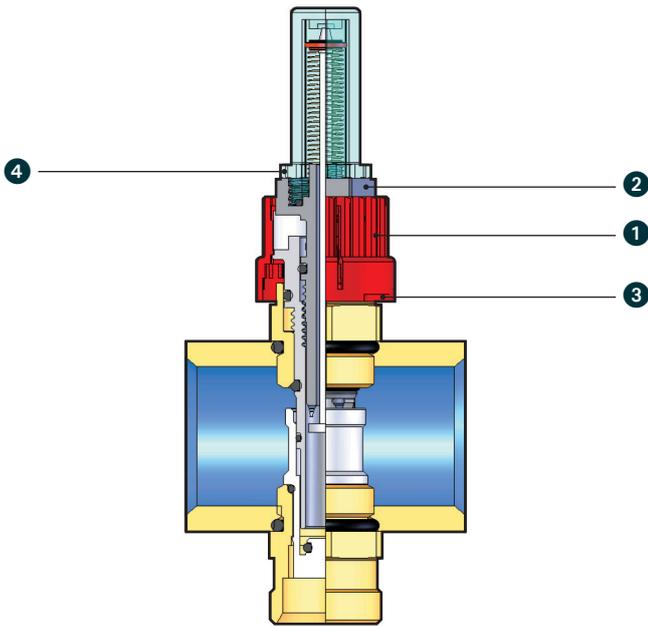
Model	2 ways	3 ways	4 ways	5 ways	6 ways	7 ways	8 ways	9 ways	10 ways	11 ways	12 ways
1" L [mm]	125	175	125	275	325	375	425	475	525	575	625

Topway S Compact flow manifold, nickel plated, with flow meters and without additional way



Model	2 ways	3 ways	4 ways	5 ways	6 ways	7 ways	8 ways	9 ways	10 ways	11 ways	12 ways
1" L [mm]	125	175	125	275	325	375	425	475	525	575	625

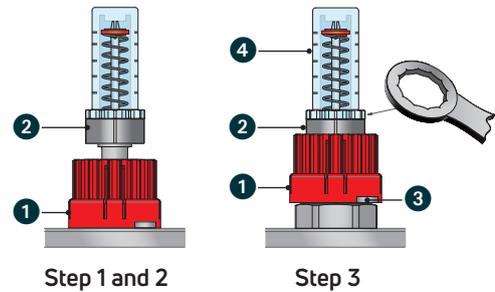
Lockshields with flow meters included



Flow regulation and interception device with set calibration memory and regulated flow display system. Simple, direct calibration by means of indicator that displays the circuit flow. The special design also makes it possible to clean the window or replace the entire measurement component with the manifold under pressure.

Technical data

Measurement field: $0 \div 4 \text{ l/min}$
Indication error: $\pm 10\%$ full-scale
Maximum operating pressure: 6 bar
Maximum operating temperature: 90 °C
Pressure drops: Kv from 0,15 (1 l/min) to 0,55 (4 l/min)
Maximum pressure drop (off scale): Kv=9
Pressure test (25 °C max): 10 bar



Flow rate adjustment (do not use tools)

Flow meter is delivered in a partially OPEN position, to carry out the calibration:

- Step 1** manually rotate the ring nut **1** counterclockwise until you feel resistance.
- Step 2** calibrate using the adjuster **2** until the desired flow rate is reached (directly shown on the flow meter).
- Step 3** raise the ring nut **1** until it clicks, indicating that it is in the correct position: it is now possible to close and open the circuit without changing the calibration.

Note: all the above operations must be performed manually.

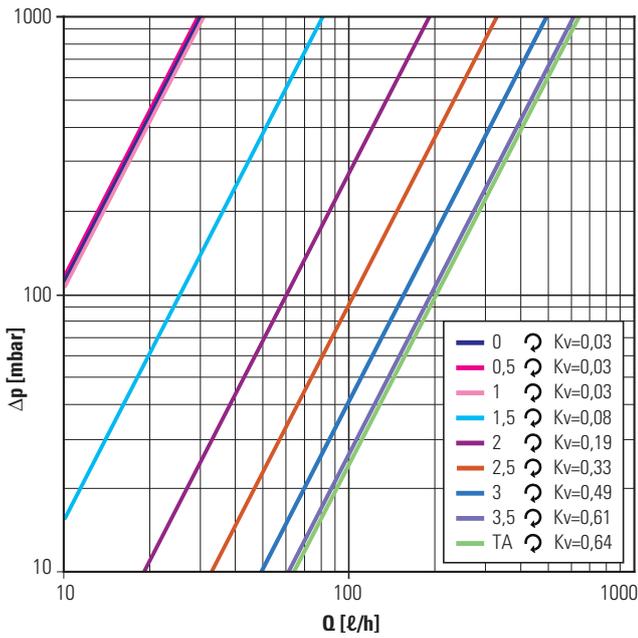
It is also possible to seal the ring nut in the position reached using a lead seal and the holes in the fins **3** to ensure it:

- directly to the manifold, preventing any tampering;
- to the flow meter, making it possible to close the flow without modifying the set maximum opening calibration.

Flow meter cleaning

- Turn the ring nut **1** clockwise until the lockshield is completely closed.
- Remove the glass **4** by unscrewing it from the adjuster **2** with a 17 mm polygonal key.
- Clean the glass **4** and screw it back on the adjuster **2**.
- Turn the ring nut **1** manually counterclockwise until you feel resistance.

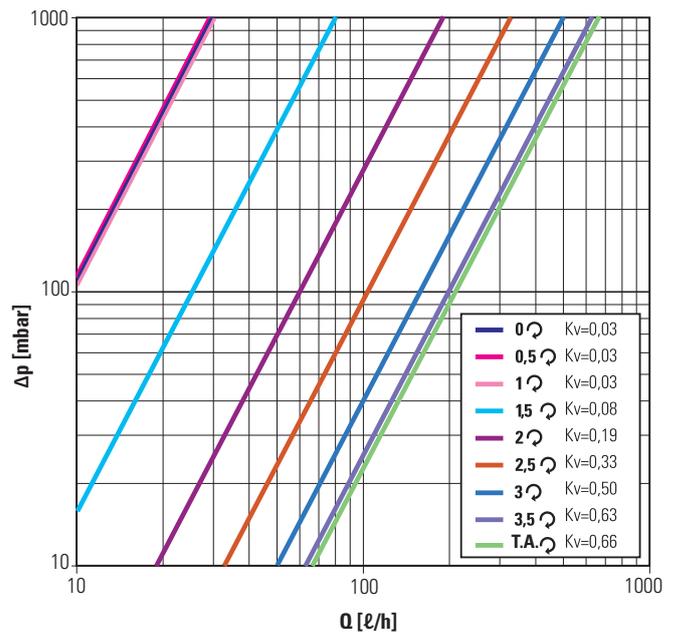
Pressure drop flow meter + valve completely open



TA = All open.
 The above values refer to water temperature at 15 °C.
 $\Delta p = \Delta p_{\text{supply}} + \Delta p_{\text{return}}$

☞ = No. of turns for opening adjustment device ②

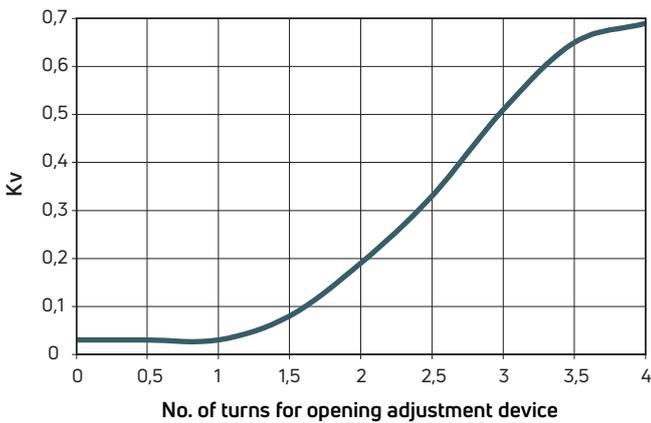
Pressure drop flow meters 4 l/min



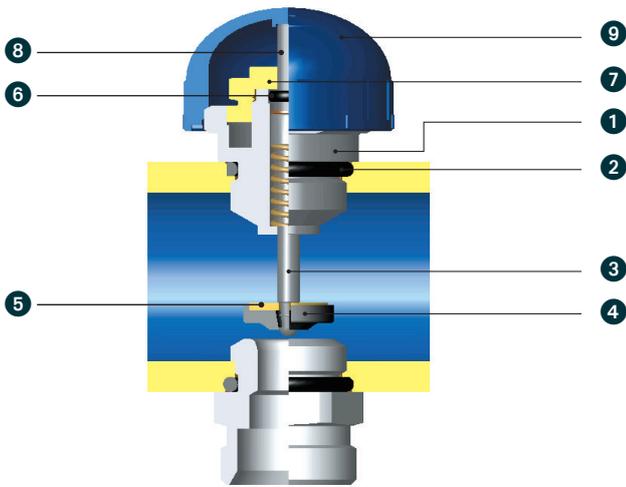
TA = All open.
 The above values refer to water temperature at 15 °C.

☞ = No. of turns for opening adjustment device ②

Flow meter 4 l/min: Kv values

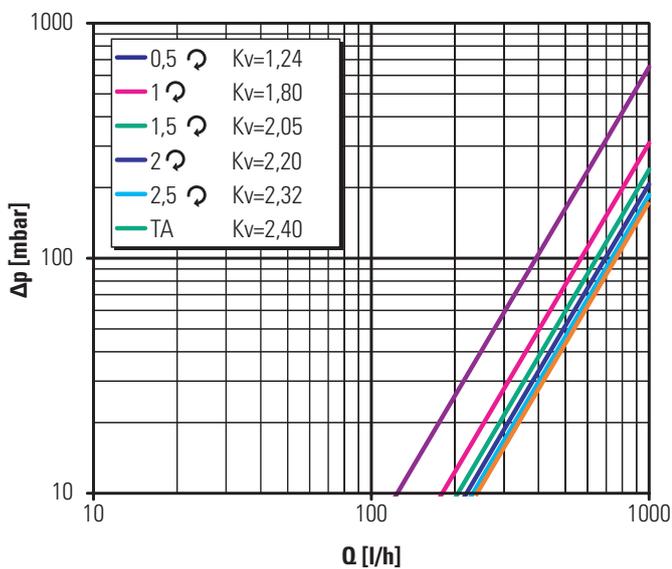


Manual valve (suitable for electrothermic heads)



- 1 Shutter body in brass UNI EN 12164 CW614N nickel plated
- 2 O-ring for shutter body steadying in EPDM
- 3 Shutter stem in brass UNI EN 12164 CW614N
- 4 Shutter steadying in EPDM
- 5 Washer for lock (gasket seal) in brass UNI EN 12164 CW614N
- 6 O-ring for rod steadying in EPDM
- 7 Collar for shutter in brass UNI EN 12164 CW614N nickel plated
- 8 Spindle in steel AISI 304
- 9 Cap in blue ABS (RAL 5005)

Pressure drops valve with manual handwheel



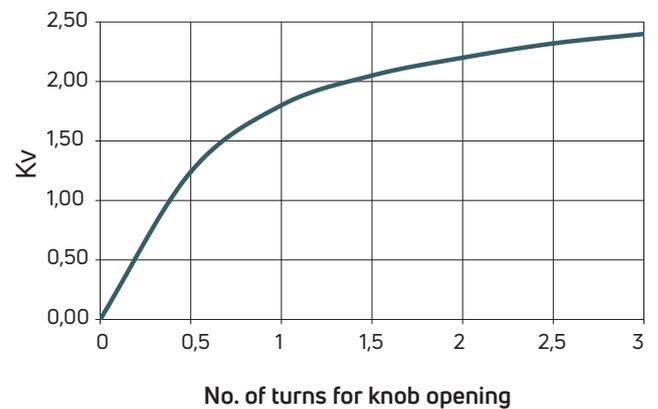
TA = All open.

The above values refer to water temperature at 15 °C.

Δp = Δp supply + Δp return

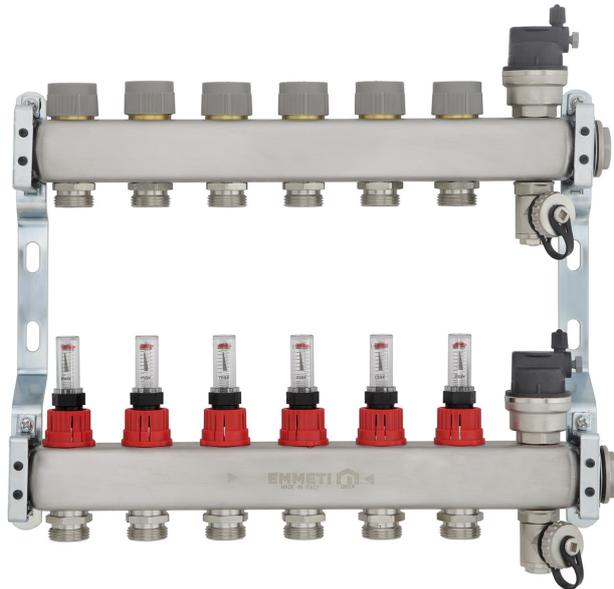
☞ = No. of turns for knob opening

Valve with manual handwheel: Kv values



Topway S-D

distribution manifold in stainless steel, with automatic dynamic balancing of the flow rate of the individual circuits



The range

- 1", threads 3/4" Eurocone, outlets 50 mm (flow and return) from 2 to 12 ways.

Technical data

Distribution bars: AISI 304 stainless steel with high nickel content and without copper for greater resistance to corrosion.

Sealing gasket: peroxide EPDM.

Maximum operating temperature: + 80 ° C

Minimum operating temperature: + 2 ° C

Maximum operating pressure: 6 bar (600 kPa)

Flow rate adjustment range: 0.5-5 l / min

Head threads: G1 "F.

Outlets threads: 3/4 "Eurocone

Center line between ports: 50mm

Actuator connection thread: M 30 x 1.5

Piston stroke: 1.8 mm

Closing dimension: 11.8 mm

Closing force (actuator): 90 - 150 N

Adjustment range:

- Δp max : 150 kPa (1,5 bar)

- Δp min. (0,5 - 2 l/min): 10 kPa (0,10 bar)

- Δp min. (>2 - 2,8 l/min): 15 kPa (0,15 bar)

- Δp min. (>2,8 - 5 l/min): 20 kPa (0,20 bar)

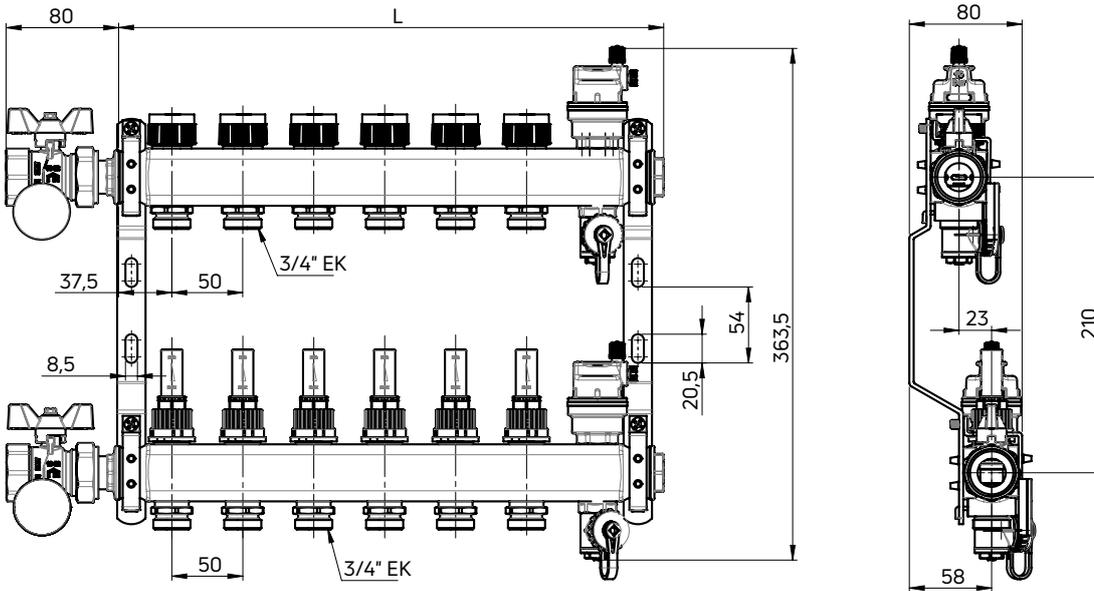
For values lower than Δp min. the valve works like a normal valve with thermostatic option, therefore the flow rate varies according to the differential pressure.

Advantages

The new Topway S-D stainless steel manifold is characterized by the return bars, equipped with special inserts (dynamic valves) with continuous flow regulation and a membrane mechanism that guarantees automatic hydraulic balancing of the radiant heating and cooling systems. Regardless of the differential pressure. Even in the presence of highly oscillating differential pressures, which can occur in the event of opening or closing sections of the system, the flow rate is kept constant within the adjustment range. To set the project flow rate, the appropriate numbered ring nut (liters/min) is rotated using the special plastic key supplied.

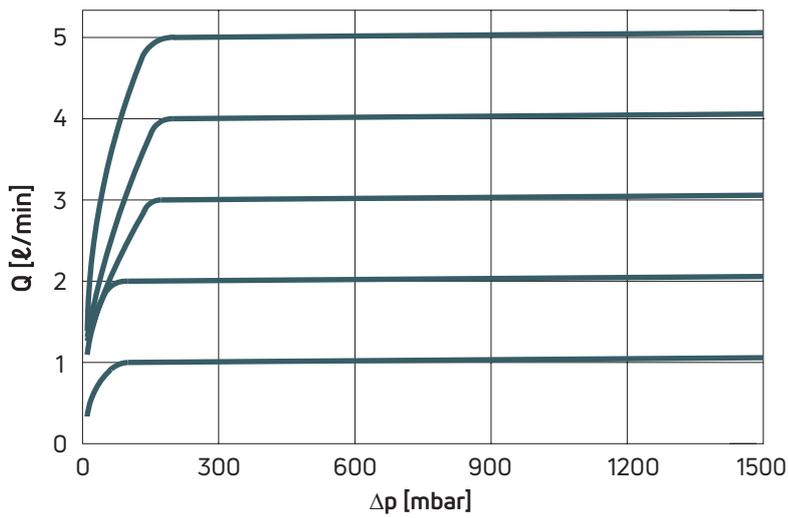
The insert has an interception device which, in combination with electrothermal actuators, M30x1.5 connection, and room thermostats, can be used to regulate the temperature of the single room. The delivery manifold is equipped with interception devices complete with indicators to check the actual passage of the flow.

Dimensional and performance data



Model		2 ways	3 ways	4 ways	5 ways	6 ways	7 ways	8 ways	9 ways	10 ways	11 ways	12 ways
1"	L [mm]	184	234	284	334	384	343	484	534	584	634	684

Dynamic valves diagram



Ball valves kit for Topway S and Topway S-D manifolds

Technical data

Valve body thread with Female connection: UNI EN 10226-1 (ISO 7-1: 1994)

Male connection valve sleeve thread: UNI EN ISO 228-1

Shank and nut thread: UNI EN ISO 228-1

REDUCED PASSAGE

Flow direction: in both directions

Minimum and maximum working temperature: -20 °C / + 120 °C **

Maximum pressure (T = 120 °C): 10 bar

Nominal pressure (T = 20 °C): PN 40

** In the absence of steam; use with water and glycol mixtures for temperatures below 0 °C

The valves must be used in the fully open or closed position

O-Ring seals

Upper shaft seal O-Ring: VITON 70 Sh A (ASTM D2240)

Lower shaft seal O-Ring: EPDM Peroxide 70 Sh A (ASTM D2240)

Shank O-Ring: Peroxide EPDM 70 Sh A (ASTM D2240)

Right-angle Progress ball valves with pipe union, thermometer holder and thermometer



Threads ISO 228/1 - Reduced passage (DN20)

Thermometer scale 0-80 °C - Size: 1"

Straight Progress ball valves with pipe union, thermometer holder and thermometer



Threads ISO 228/1 - Reduced passage (DN20)

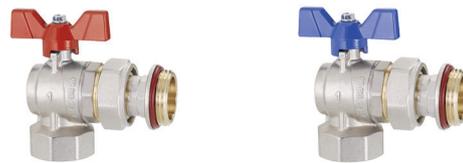
Thermometer scale 0-80 °C - Size: 1"

Right-angle Progress ball valves with pipe union



Threads ISO 228/1 - Reduced passage (DN20) - Size: 1"

Right-angle Progress ball valves with pipe union



Threads ISO 228/1 - Reduced passage (DN20) - Size: 1"

Straight Progress ball valves with pipe union, thermometer holder and thermometer



Threads ISO 228/1 - Reduced passage (DN20)

Thermometer scale 0-80 °C - Size: 1"

Straight Progress ball valves with pipe union

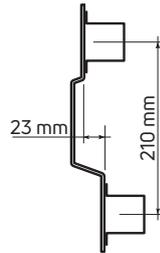


Threads ISO 228/1 - Reduced passage (DN20)

Thermometer scale 0-80 °C - Size: 1"

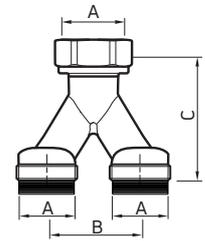
Accessories for Topway S and Topway S-D manifolds

Pair of metal support



Size: 1" - Takeoff 210 mm

Splitter fitting



Model	A	B [mm]	C [mm]
24x19	24x19	36	58
3/4" EK	3/4" EK	36	49,5

Splitting fitting for manifolds with 24x19 or 3/4" Eurocone outlets, center distance 50 mm. Splitter outlet center distance: 36 mm - UNI EN ISO 228-1 thread

Kit lockshield with incorporated flow meter



Size: 4 l/min

Lockshield and flow meter seat shutter

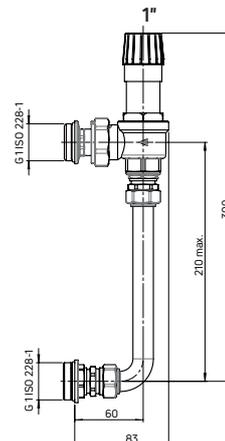
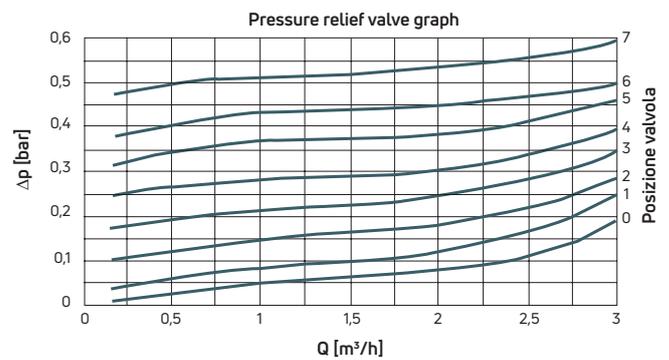


Size: 24x19 - 3/4" Eurocone

Terminal kit with by-pass



Maximum working temperature: 110 °C.
Maximum working pressure: 6 bar.
Thread UNI EN ISO 228-1



Tecno-Varia air vent valve, nickel plated



Size: 1/2"

Terminal pair with manual bleed valve and adjustable tap



Size: 1" with O-Ring. Complete with 1/2" manual air vent valve and 1/2" water fill / drain tap with adjustable 3/4" connection.

Nickel-plated blind plug with O-Ring

Size:
1/2" M with O-Ring; 1" M with O-Ring
Thread UNI EN ISO 228-1



Nickel-plated nipple with O-Ring

Size: 1" M x 1" M
Thread UNI EN ISO 228-1



Tee union Male - Female with pipe union for thermometer

Size: 24x19
Gas thread 24x19 in diameter
24 mm and 19 threads per inch



Insulating shells for Topway S



In cellular cross-linked polyethylene foam closed. 13 tapping holes, center distance 50 mm. To be cut to size according to the number of manifold ways to be isolated.

Charge and drain valve



Adjustable Male 3/4" connection. Size 1/2" and 1".

Kit thermostatic shutter



Size: 24x19 - 3/4" Eurocone

Nickel-plated reduction with O-Ring

Size: 1" M x 3/8" F
1" M x 1/2" F
1" M x 3/4" F
Thread UNI EN ISO 228-1



Thermometer Ø 40

Size: 0 ÷ 80 °C



Hand wheel for manual control

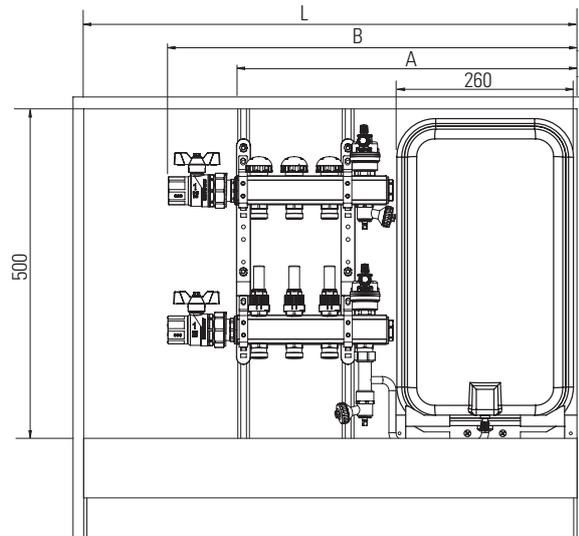


Pair of insulating shells for angle or straight valve kits with and without thermometer holder for Topway S manifolds



In cellular cross-linked polyethylene foam closed.

Expansion vessel kit for connection to Topway S distribution manifold in Metalbox Plus



Complete with:

expansion vessel: 8, 10 litres; mounting plate with screws for installation in metal box; copper pipe $\varnothing 18 \times 1$ prepared for connection tap loading/unloading $1/2$ " diameter copper pipe $\varnothing 10 \times 1$ derivation with nut $3/8$ " for connection to expansion vessel; monoblocco seal for copper pipe $\varnothing 18 \times 1$; shank $1/2$ " - 24×19 with O-Ring for connection to Topway S 1" manifold; gasket $3/8$ ".

Recommended number of ways of Topway 1" manifolds:

- with 8-liter expansion vessel in Metalbox Plus for 80 and 120 mm partition
- with 10-liter expansion tank in Metalbox Plus for 120 mm partition

L [mm]		N° ways	A [mm]	B ① [mm]	B ② [mm]
500		2	430	-	-
600	① ②	2	430	530	540
700	① ②	2	430	530	540
700	① ②	3	480	580	590
850	① ②	4	530	630	640
850	① ②	5	580	680	690
850	① ②	6	630	730	740
1000	① ②	7	680	780	790
1000	① ②	8	730	830	840
1000	① ②	9	780	880	890
1200	① ②	10	830	930	940
1200	① ②	11	880	980	990
1200	① ②	12	930	1030	1040

① With straight Progress kit 1"

② With square Progress kit 1"

Note:

Kit expansion vessel 10 liter can only be installed in boxes for partition of 120 mm. Width 260 mm x height 490 mm

Control T

teste elettrotermiche



The range

- 230 Vac, normally closed, plastic ring nut
- 230 Vac, normally closed, metal ring nut
- 24 Vac, normally closed, plastic ring nut
- 230 Vac, with auxiliary micro (1 A 250 Vac), normally closed, plastic ring nut
- 230 Vac, with auxiliary micro (1 A 250 Vac), normally closed, metal ring nut
- 24 Vac, with auxiliary micro (1 A 250 Vac), normally closed, plastic ring nut
- 230 Vac, normally open, plastic ring nut
- 24 Vac, normally open, metal ring nut

Construction

- 1 Polycarbonate case
- 2 Stainless steel spring
- 3 Indicator in PPA (35% FV)
- 4 Radial stop ring in steel
- 5 Polycarbonate shutter support
- 6 Polycarbonate base
- 7 M30x1.5 ring nut in PA 66 (50% FV) or in nickel-plated brass UNI EN 12164 CW614N
- 8 PVC cable
- 9 1 A 250 V microswitch
- 10 Wax expansion electrothermal actuator

Technical data

Normally closed models: the opening takes place with the power supply controlled by the thermostat.

Normally open models: the closure takes place with the power supply controlled by the thermostat.

Absorption: 3.45 VA (230 Vac) / 3 VA (24 Vac)

Protection: IP 40 (IP44 vertical position)

Cable length: 1 m

Auxiliary contact capacity: 1 A 250 Vac

Starting current: 0.25 A (mod.230 Vac) / 0.35 A (mod.24 Vac)

Opening / closing time: 5-6 min.

Basic wiring box 6T

for electro-thermic heads



It is a device especially designed for the connection and control of electrothermic heads associated to circuits of low temperature radiant heating systems or high and low temperature mixed systems (underfloor radiators).

The system is integrated and is installed easily in the regulation and distribution boxes of the underfloor boxes (Floor Control Unit HE) and allows to manage the high temperature zones (max 6 zones) and low temperature zones.

The basic wiring box 6T simplifies and optimizes the wiring and connection of the electrothermic heads and relative thermostats; it turns a low temperature circulator on and off (with dedicated relay) and activates the generator that powers the system. It includes the safety thermostat for the deactivation of the low temperature circulator and a remote alarm contact to signal the intervention of the safety thermostat.

Each unit features on the back of the box a pre-drilled metal strip to attach it inside the manifold cabinets with a depth of 110 mm.

Inputs

- Max. number of connectable thermostats: 6
- NTC probe (supplied) for the safety thermostat of the low temperature zone: length of cable 1.5 m

Outputs

- No. 6 independent outputs for the activation of normally closed electrothermic heads
- Contact for low temperature zone circulator (230 Vac)
- Free voltage contact for heat source activation
- Free voltage contact for remote alarm

Functions

- Direct supply of the electrothermic heads (selectable at 230 or 24 Vac).
- Jumper configuration of the electrothermic heads as high or low temperature.
- Jumper configuration of the electrothermic heads to be associated to the thermostat/s.
- Adjustable safety thermostat (30-60 °C) integrated in the board. When it switches, it opens the contact of the low temperature circulator and (if set with jumper) the contact of the heat source; it closes the remote alarm contact.
- Activation of low temperature circulator with or without delay (4 min.) compared to the activation of at least one low temperature zones.
- Circulator anti-seizure function: every 24 h of inactivity of the circulator, it will be activated for 15'.

Monoblocco seals and 3-pieces

Monoblocco seal 24x19 for copper pipe



Sizes: Ø 10 - Ø 12 - Ø 14 - Ø 15 - Ø 16

3/4" Eurocone seal for copper pipe

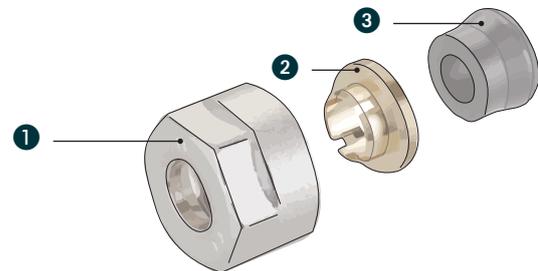
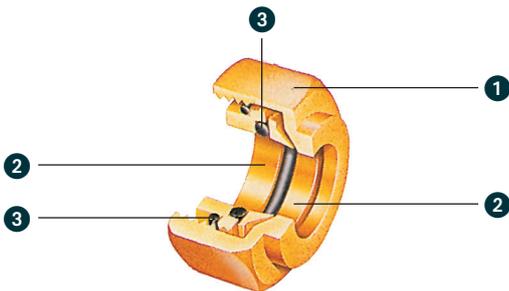


Sizes: Ø 12 - Ø 14 - Ø 15 - Ø 16

24x19 Standard seals for copper pipe



Size: Ø 18



Construction and Technical data

- 1 Nut in nickel-plated brass UNI EN 12165 CW617N
- 2 Adapter in brass UNI EN 12164 CW617N
- 3 Ogive in peroxide EPDM

Maximum pressure: 10 bar
Maximum temperature: 120 °C

Maximum torque:

- Ø 12 mm = 35÷40 Nm (*) - 68÷80 Nm (**)
- Ø 14 mm = 35÷40 Nm (*) - 68÷80 Nm (**)
- Ø 15 mm = 35÷40 Nm (*) - 68÷80 Nm (**)
- Ø 16 mm = 35÷40 Nm (*) - 68÷80 Nm (**)

(*) Annealed copper pipe
(**) Semi-hard copper pipe

Construction and Technical data

- 1 Nut in nickel-plated brass UNI EN 12165 CW617N
- 2 Metal components in brass UNI EN 12164 CW617N
- 3 O-Ring fitting in NBR

Maximum pressure: 10 bar
Maximum temperature: 100 °C

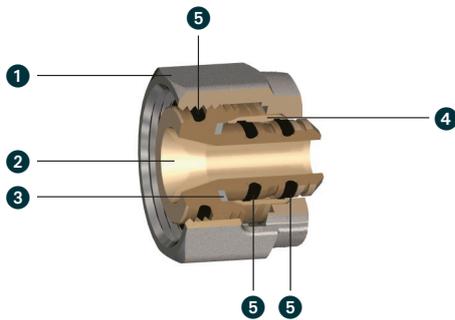
Maximum torque:

- Ø 10 mm = 30÷35 Nm
- Ø 12 mm = 35÷40 Nm
- Ø 14 mm = 40÷45 Nm
- Ø 15 mm = 40÷45 Nm
- Ø 16 mm = 45÷50 Nm
- Ø 18 mm Standard seal = 50÷55 Nm
- Blind Monoblocco (plug) = 30÷35 Nm

Monoblocco seal 24x19 for multilayer pipe



Sizes:
12x1,6 - 14x2 - 16x2 - 16x2,25 - 18x2 - 20x2 - 20x2,5
26x3 (*)
(*) thread M32x1,5



Construction and Technical data

- ① Nut in nickel-plated brass UNI EN 12165 CW617N
- ② Adapter in brass UNI EN 12164 CW614N
- ③ Ring in PTFE, dielectric
- ④ Serrated hose-clamp in brass UNI EN 12164 CW614N
- ⑤ O-Ring seals in EPDM

Maximum pressure: 10 bar
Maximum temperature: 100 °C

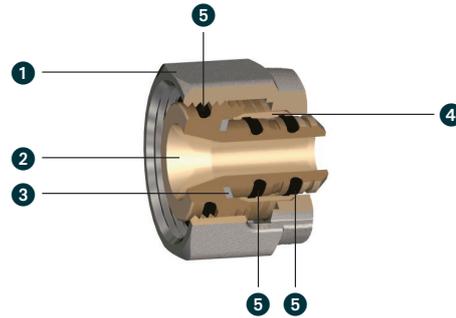
Maximum torque:

- 12x1,6 mm = 30÷35 Nm
- 14x2 mm = 30÷35 Nm
- 16x2 mm = 30÷35 Nm
- 16x2,25 mm = 30÷35 Nm
- 18x2 mm = 30÷35 Nm
- 20x2 mm = 30÷35 Nm
- 20x2,5 mm = 30÷35 Nm
- 26x3 mm = 55÷60 Nm

Monoblocco seal 3/4" Eurocone for multilayer pipe



Sizes:
16x2 - 20x2



Construction and Technical data

- ① Nut in nickel-plated brass UNI EN 12165 CW617N
- ② Adapter in brass UNI EN 12164 CW614N
- ③ Ring in PTFE
- ④ Serrated hose-clamp in brass UNI EN 12164 CW614N
- ⑤ O-Ring seals in EPDM

Maximum pressure: 10 bar
Maximum temperature: 100 °C

Maximum torque:

- 16x2 mm = 30÷35 Nm
- 20x2 mm = 30÷35 Nm

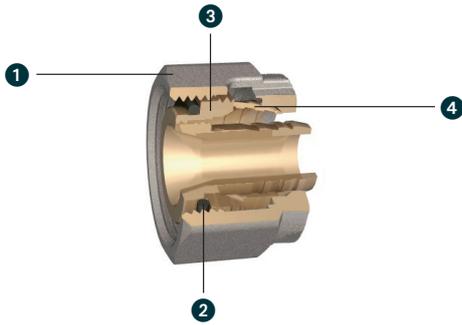
Monoblocco seal 24x19 for plastic, PEX, PP pipe



Sizes:

12x1 - 12x2 - 15x1,7 - 16x1,5 - 16x2 - 16x2,2 - 17x2 - 20x2 - 25x2,3 (*)

(*) Thread M32x1,5



Construction and Technical data

- ① Nut in nickel-plated brass UNI EN 12165 CW617N
- ② O-Ring seals in EPDM
- ③ Adapter in brass UNI EN 12164 CW614N
- ④ Serrated hose-clamp in brass UNI EN 12164 CW614N

Maximum pressure: 10 bar

Maximum temperature: 100 °C

Maximum torque:

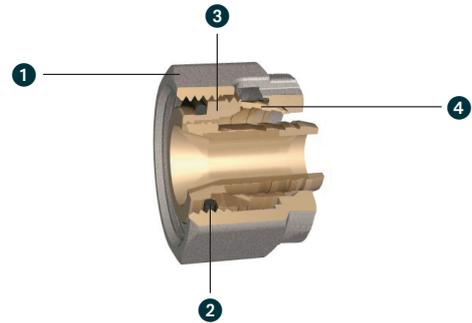
- 12x1 mm = 30÷35 Nm
- 12x2 mm = 30÷35 Nm
- 15x1,7 mm = 30÷35 Nm
- 16x1,5 mm = 30÷35 Nm
- 16x2 mm = 30÷35 Nm
- 16x2,2 mm = 30÷35 Nm
- 17x2 mm = 30÷35 Nm
- 20x2 mm = 30÷35 Nm
- 25x2,3 mm = 55÷60 Nm

Monoblocco seal 3/4" Eurocone for plastic, PEX, PP pipe



Sizes:

12x2 with O-ring
16x2 with O-ring
17x2 with O-ring
20x2 with O-ring



Construction and Technical data

- ① Nut in nickel-plated brass UNI EN 12165 CW617N
- ② O-Ring seals in EPDM
- ③ Adapter in brass UNI EN 12164 CW614N
- ④ Serrated hose-clamp in brass UNI EN 12164 CW614N

Maximum pressure: 10 bar

Maximum temperature: 100 °C

Maximum torque:

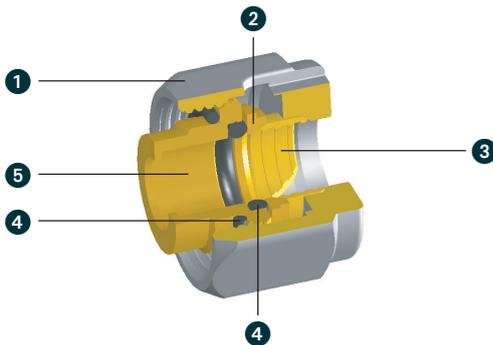
- 12x2 mm con O-ring = 30÷35 Nm
- 16x2 mm con O-ring = 30÷35 Nm
- 17x2 mm con O-ring = 35÷40 Nm
- 20x2 mm con O-ring = 35÷40 Nm

Monoblocco seal 24x19 for plastic PB pipe



Size Ø 15

When using Emmeti compression fittings for Polybutylene pipe, please ensure you use the plastic pipe insert provided for by the manufacturer of the pipe you are using.



Construction and Technical data

- ❶ Nut in nickel-plated brass UNI EN 12165 CW617N nichelato
- ❷ Collar in brass UNI EN 12164 CW614N
- ❸ Serrated hose-clamp in brass
UNI EN 12164 CW614N
- ❹ O-Ring seals in EPDM
- ❺ Adapter in brass UNI EN 12164 CW614N

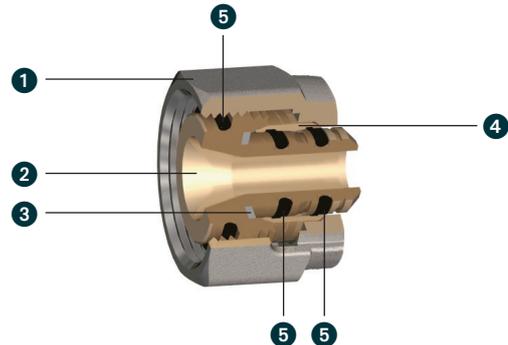
Maximum pressure: 10 bar
Maximum temperature: 100 °C

Maximum torque:
Ø 15 mm = 30÷35 Nm

Three-pieces 24x19 and 3/4" Eurocone for PEX, PERT and Multilayer pipe



Sizes:
24x19: 12x2 - 14x2 - 17x2
3/4" EK: 12x2 - 14x2 - 17x2



Construction and Technical data

- ❶ Nut in nickel-plated brass UNI EN 12165 CW617N nichelato
- ❷ Adapter in brass UNI EN 12164 CW614N
- ❸ Ring in PTFE, dielectric
- ❹ Serrated hose-clamp in brass
UNI EN 12164 CW614N
- ❺ O-Ring seals in EPDM

Maximum pressure: 10 bar
Maximum temperature: 100 °C

Maximum torque:
- 12x2 mm = 30÷35 Nm
- 14x2 mm = 30÷35 Nm
- 17x2 mm = 30÷35 Nm

Fitting Female 24x19 - Male M32x1,5



Sizes:
24x19 - M32x1,5

Complete with O-Ring and adapter on Female side

Accessories for Monoblocco

CH 27-30 open poligonaly key



CH 38 key for Multilayer 26x3 Monoblocco seals



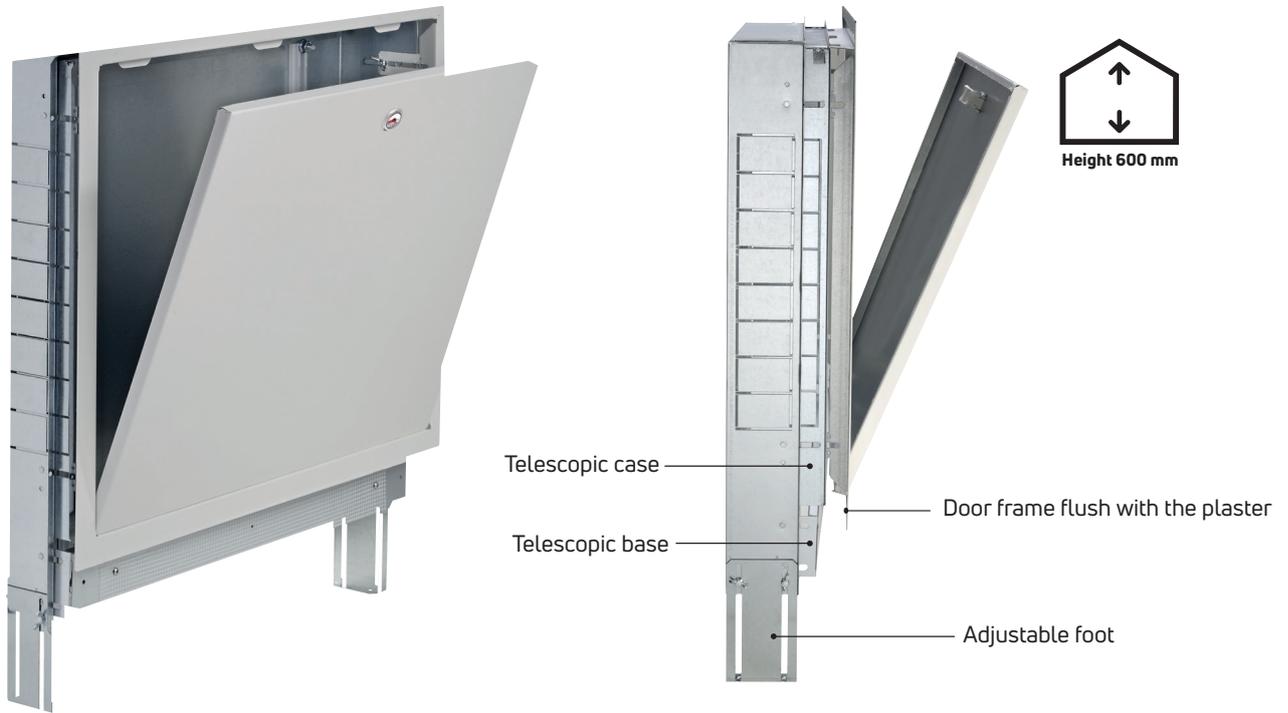
To be used for tightening Monobloc seals for multilayer pipe 26x3 on manifold outlets with 50 mm takeoffs.

CH 27-30 spanner for tightening takeoffs, until DN 18 pipes

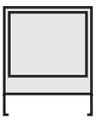


Metalbox Plus

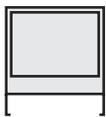
recessed zinc-coated metal cabinet, adjustable dept



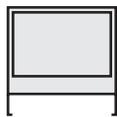
L 500



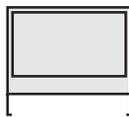
L 600



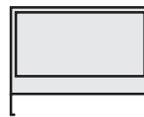
L 700



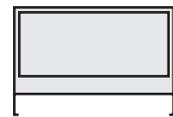
L 850



L 1000



L 1200



Uses

Zinc-coated metal cassette with plastic frame and door, white colour RAL 9010, for 120 mm brick thickness. Suitable for flush mounting with adjustable depth. It is supplied with a slotted screwdriver lock, height adjustable feet from 0 to 100 mm and a rubble protection metal cover. Frame and door fit flush with wall 3 mm..

Accessory

Key lock



Metalbox

recessed and external zinc-coated metal cabinet



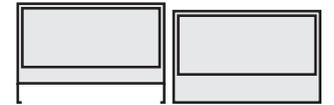
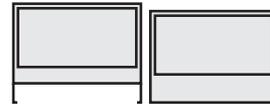
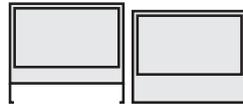
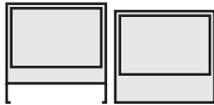
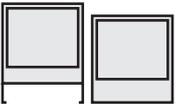
L 500

L 700

L 850

L 1000

L 1200



Recessed cabinet uses

Zinc-coated metal cassette with plastic frame and door, white colour RAL 9010, for 120 mm brick thickness.

Suitable for flush mounting with adjustable depth.

It is supplied with a slotted screwdriver lock, height adjustable feet from 0 to 100 mm and a rubble protection metal cover.

Frame and door fit flush with wall 3 mm.

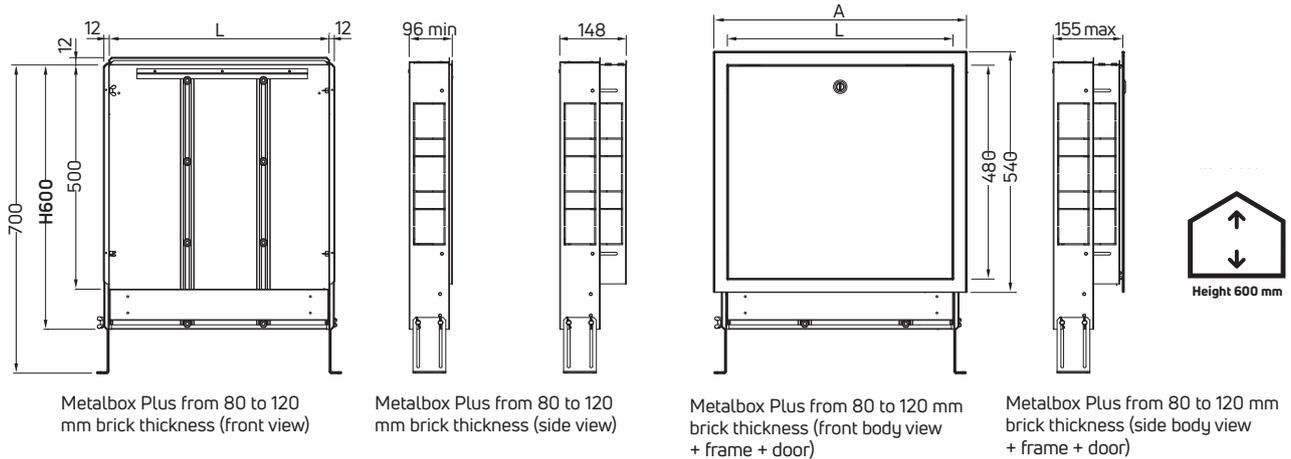
External cabinet uses

Zinc-coated metal cabinet with plastic cover and door, white colour RAL 9010.

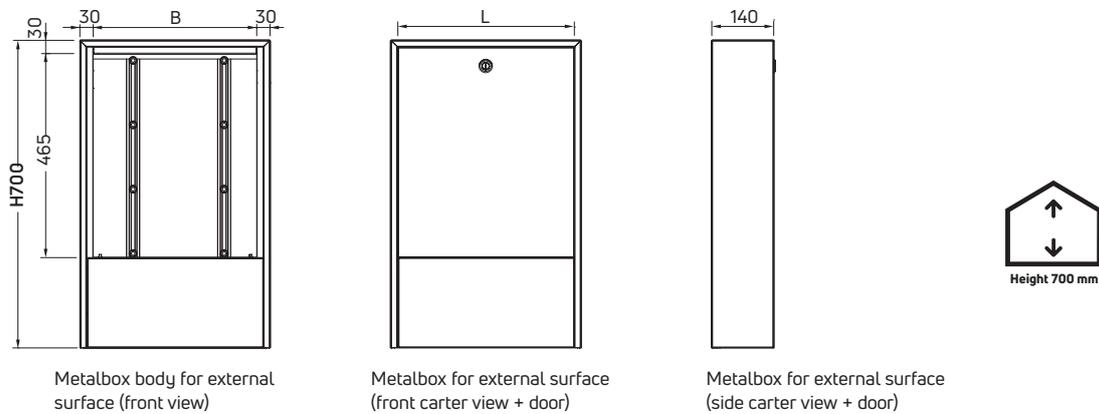
External installation for surface mounting.

It is supplied with a slotted screwdriver lock.

Dimensional data of Metalbox Plus recessed zinc-coated metal cabinet, adjustable depth

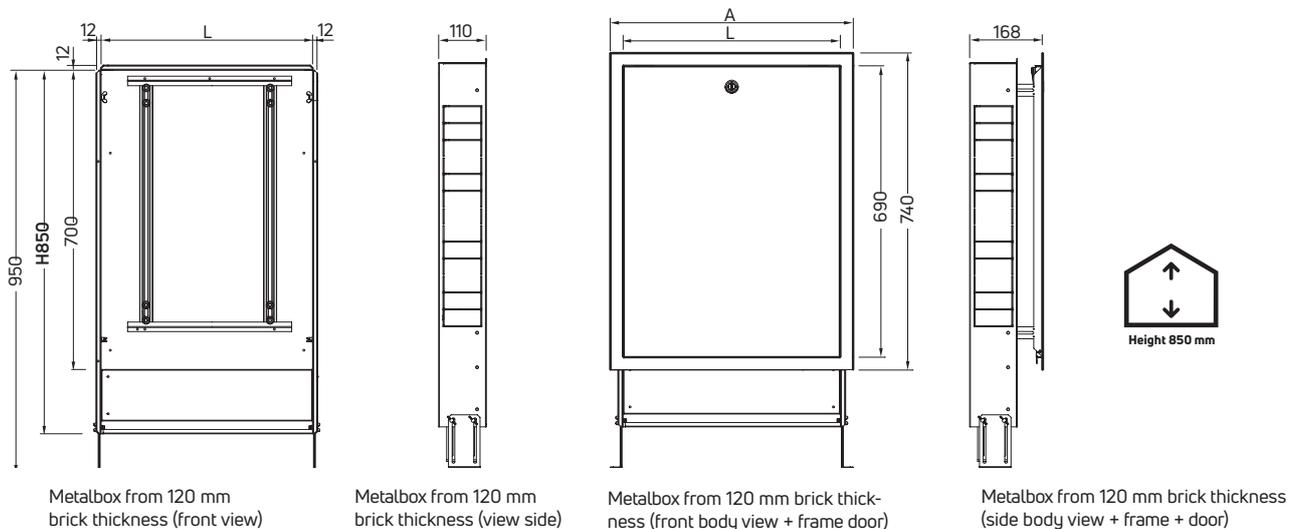


Dimensional data of Metalbox zinc-coated metal cabinet external box



Size [mm]	H 600/H700/H850	H 600	H 600/H700/H850	H 600/H700/H850	H 600/H700/H850	H 600/H700/H850
L	500	600	700	850	1000	1200
A	560	660	760	910	1060	1260
B	470	/	670	820	970	1170

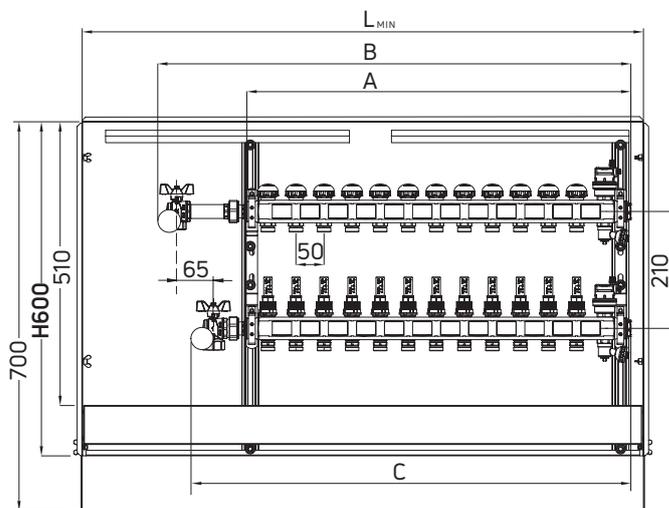
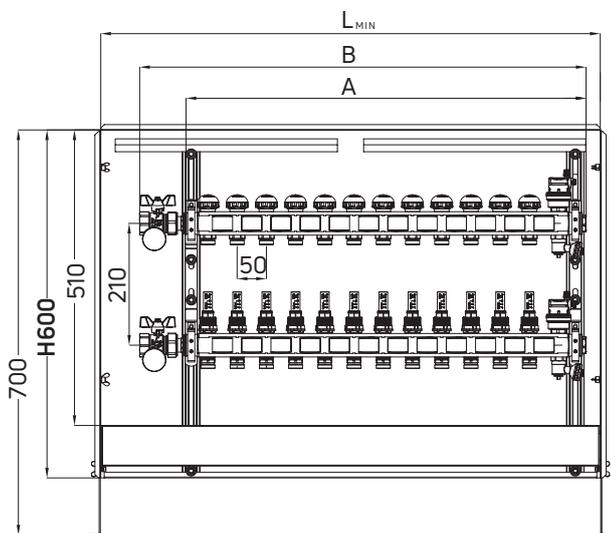
Dimensional data of Metalbox recessed zinc-coated metal cabinet



Size [mm]	H 600/H700/H850	H 600	H 600/H700/H850	H 600/H700/H850	H 600/H700/H850	H 600/H700/H850
L	500	600	700	850	1000	1200
A	560	660	760	910	1060	1260
B	470	/	670	820	970	1170

Topway S and Topway S-D manifolds + accessories - dimensions in the cabinet

With valves Progress



Combined with Topway S manifolds in metal cabinet

N° ways	A [mm]	B [mm]	L _{MIN} [mm]
2	184	264	500
3	234	314	500
4	284	364	500
5	334	414	500
6	384	464	500
7	434	514	600
8	484	564	600
9	534	614	700
10	584	664	700
11	634	714	850
12	684	764	850

Note: L_{MIN} including dimensions of press fittings:
 - with straight Progress valve kit 1" with pipe unions
 - with square Progress valve kit 1" with pipe unions and thermometers

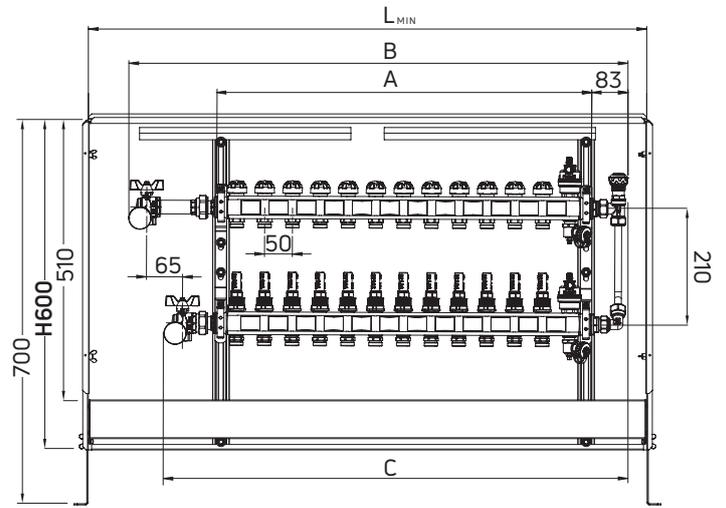
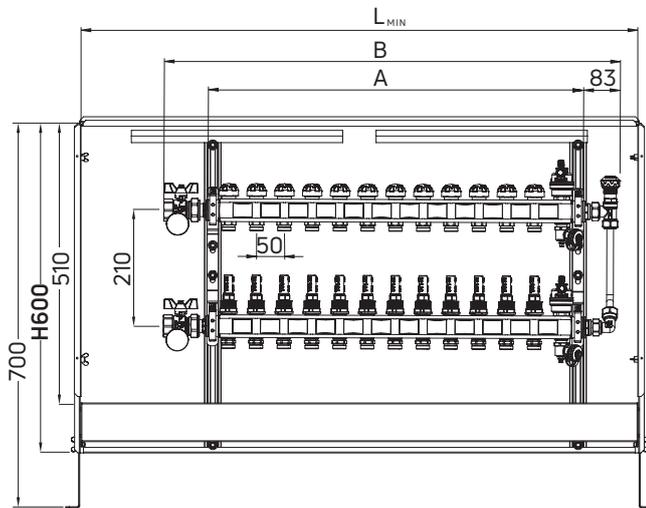
Combined with Topway S manifolds in metal cabinet

N° ways	A [mm]	B [mm]	C [mm]	L _{MIN} [mm]
2	184	344	279	500
3	234	394	329	500
4	284	444	379	500
5	334	494	429	600
6	384	544	479	600
7	434	594	529	700
8	484	644	579	700
9	534	694	629	850
10	584	744	679	850
11	634	794	729	850
12	684	844	779	1000

Note: L_{MIN} including dimensions of press fittings:
 - with straight Progress valve kit 1" with pipe unions
 - with square Progress valve kit 1" with pipe unions and thermometers

Topway S and Topway S-D manifolds + accessories - dimensions in the cabinet

With valves Progress and terminal kit with by-pass



Combined with Topway S manifolds in metal cabinet

N° ways	A [mm]	B [mm]	L _{MIN} [mm]
2	175	337	500
3	225	387	500
4	275	437	600
5	325	487	600
6	375	537	700
7	425	587	700
8	475	637	850
9	525	687	850
10	575	737	850
11	625	787	1000
12	675	837	1000

Note: L_{MIN} including dimensions of press fittings:
 - with straight Progress valve kit 1" with pipe unions
 - with square Progress valve kit 1" with pipe unions and thermometers

Combined with Topway S manifolds in metal cabinet

N° ways	A [mm]	B [mm]	C [mm]	L _{MIN} [mm]
2	174	415	350	500
3	224	465	400	600
4	274	515	450	600
5	324	565	500	700
6	374	615	550	700
7	424	665	600	850
8	474	715	650	850
9	524	765	700	850
10	574	815	750	1000
11	624	865	800	1000
12	674	915	850	1000

Note: L_{MIN} including dimensions of press fittings:
 - with straight Progress valve kit 1" with pipe unions
 - with square Progress valve kit 1" with pipe unions and thermometers



EMMETI S.p.A. Unipersonale

Via Brigata Osoppo, 166
33074 Vigonovo frazione di Fontanafredda (PN) - Italia
Tel. 0434.567911
Fax 0434.567901
www.emmeti.com
info@emmeti.com

TO KNOW MORE
GO TO OUR SITE
WWW.EMMETI.COM



Every care has been taken in the creation of this document.
No part of this document may be reproduced or disseminated without Emmeti Spa Unipersonale's express written consent.
The data contained in this publication may, for a found technical and / or commercial need, undergo changes at any time and without notice.
Therefore Emmeti Spa Unipersonale is not responsible for any errors or inaccuracies contained therein.

